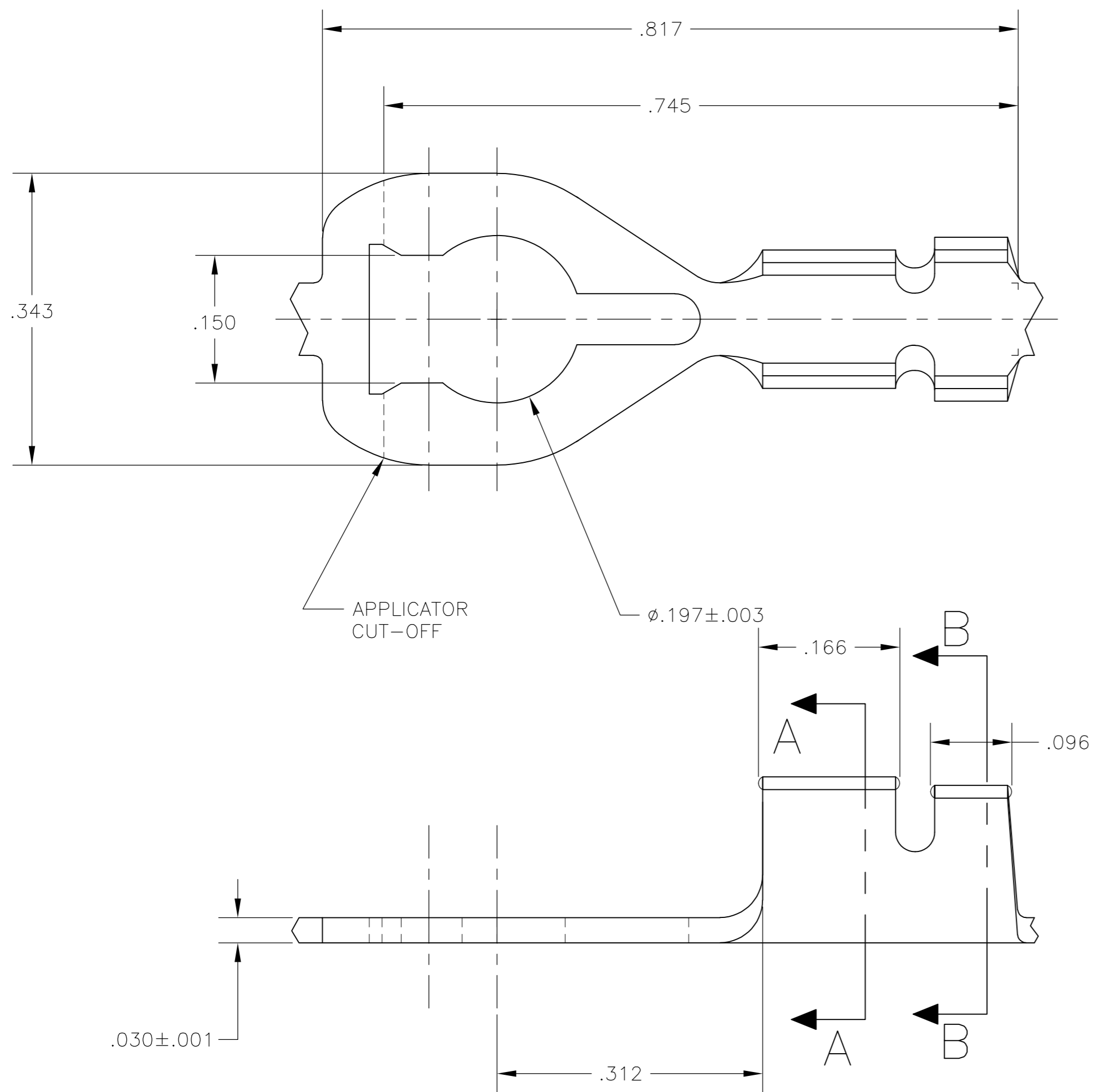
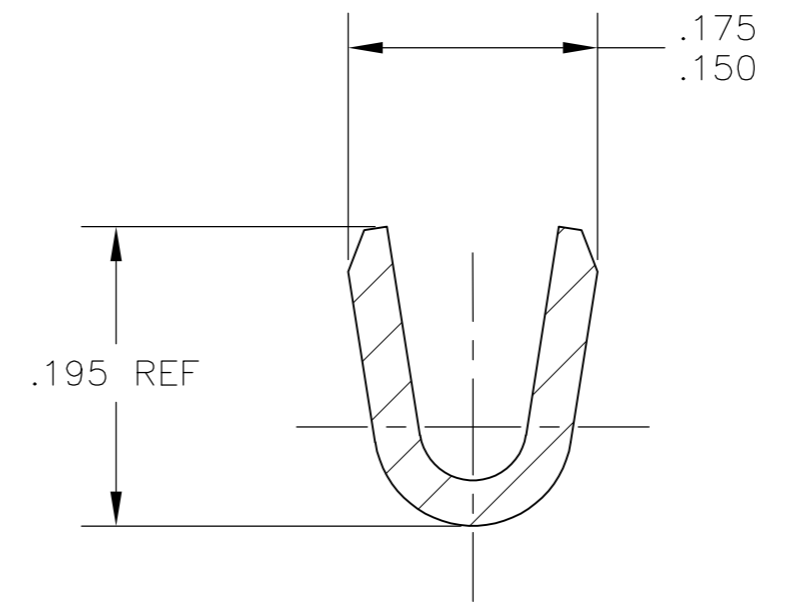


THIS DRAWING IS UNPUBLISHED. RELEASED FOR PUBLICATION
 © COPYRIGHT 1964 BY TYCO ELECTRONICS CORPORATION. ALL RIGHTS RESERVED.

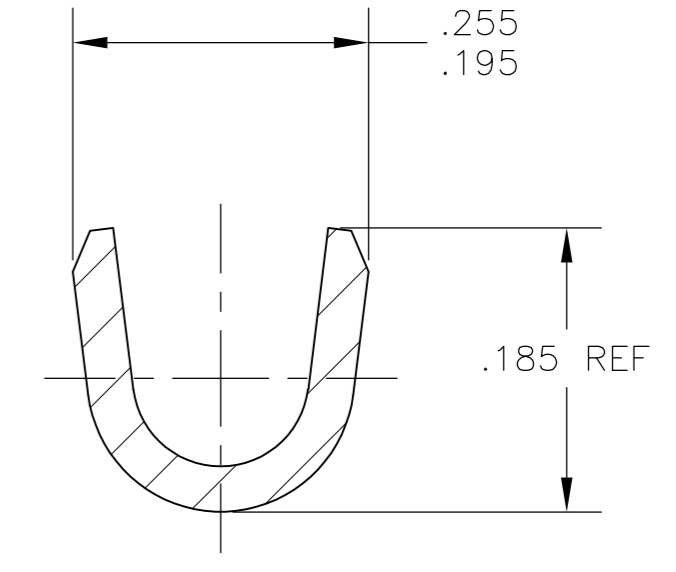
LOC		DIST		REVISIONS			
P	LTR	DESCRIPTION		DATE	DWN	APVD	
AF	50	S		REVISED PER ECR-10-006099	07JUL10	HMR	PD



1. CONTINUOUS STRIP ON REELS.
2. WIRE RANGE: #18-#14 AWG.
3. INSULATION RANGE: .100-.140 DIA.



SECTION A-A



SECTION B-B

TIN	42169-2
-	42169-1
FINISH	PART NUMBER

THIS DRAWING IS A CONTROLLED DOCUMENT.		DWN 05NOV2003 MICHAEL S. FEHER	 Tyco Electronics Corporation Harrisburg, PA 17105-3608												
DIMENSIONS: INCHES		CHK 05NOV2003 DONALD F. DECKER													
TOLERANCES UNLESS OTHERWISE SPECIFIED:		APVD 05NOV2003 DONALD F. DECKER	NAME												
<table border="1"> <tr><td>0 PLC</td><td>± -</td></tr> <tr><td>1 PLC</td><td>± -</td></tr> <tr><td>2 PLC</td><td>± -</td></tr> <tr><td>3 PLC</td><td>± .015</td></tr> <tr><td>4 PLC</td><td>± -</td></tr> <tr><td>ANGLES</td><td>± 1°</td></tr> </table>		0 PLC	± -	1 PLC	± -	2 PLC	± -	3 PLC	± .015	4 PLC	± -	ANGLES	± 1°	PRODUCT SPEC	TERMINAL, SPRING SPADE, #10 STUD,
0 PLC	± -														
1 PLC	± -														
2 PLC	± -														
3 PLC	± .015														
4 PLC	± -														
ANGLES	± 1°														
MATERIAL H03 BRASS		FINISH SEE TABLE	RESTRICTED TO												
WEIGHT -		SCALE 8:1	SHEET 1 OF 1												
CUSTOMER DRAWING		SIZE A2	REV S												

42169